

Accessories

Cembrit Windstopper
Tape 50mm x 25m
Item No. 47250113



Cembrit Scratch knife
Item No. 47290105



Screws and fastening

Wooden sub-construction Contact local Cembrit sales for information about selecting screws

Large head nails (min 8mm head)
225x32-38mm

Staples
13x38-50
Hot dip galvanized

Note:
K₁10 and K₂10 fire protection classification is not valid

Steel sub-construction Contact local Cembrit sales for information about selecting screws



JUNE 2017

CEMBRIT

www.cembrit.com

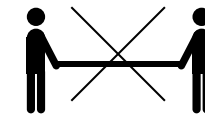
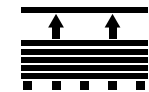
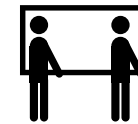
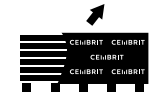
Please visit the local website for contact details and further information.

Cembrit is one of the leading European manufacturers of multi-capability fibre-cement building products. Our products and solutions add exciting new design opportunities for moulding attractive, durable settings for people's lives. But Cembrit is more than mere products. We also help make all kinds of design and construction projects easier - as well as more profitable, inspiring and effective.

And for us, all construction also involves building relations with people, making your day better, and helping you make the day better for others. Making it a day to remember.

CEMBRIT

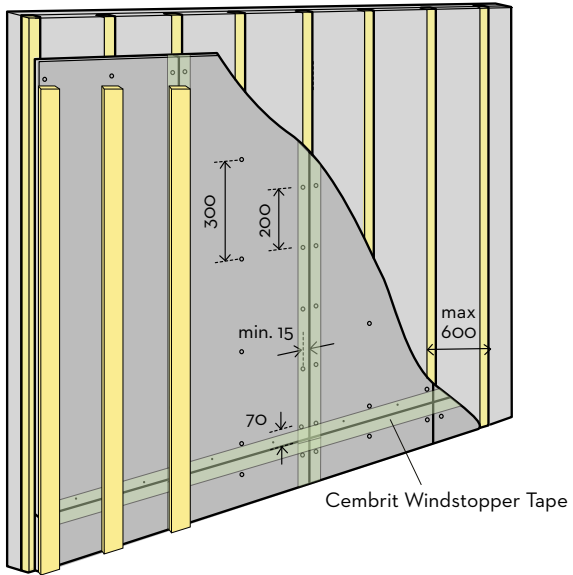
Cembrit Windstopper



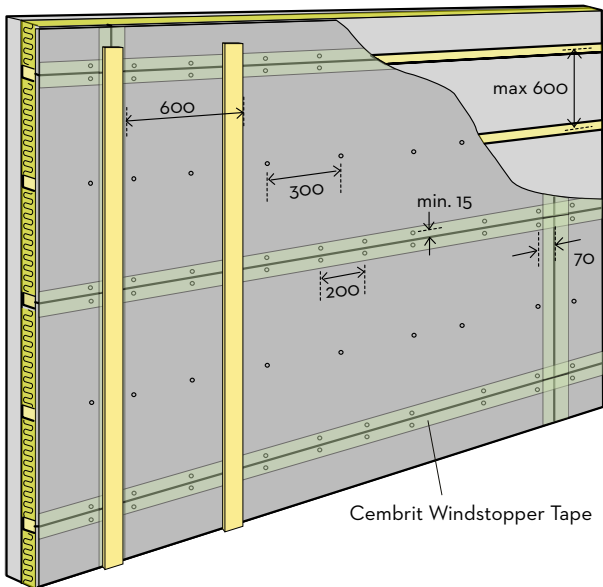
cembrit.com

Cembrit Windstopper Extreme 4.5mm

Permanent wooden battens, steel or aluminium profiles must be installed on the boards.



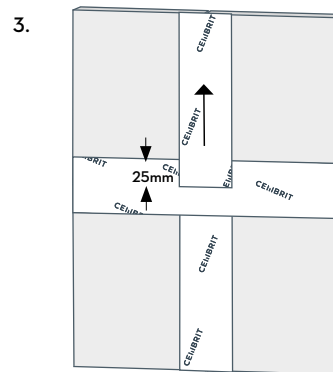
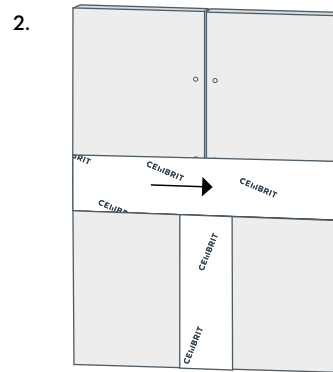
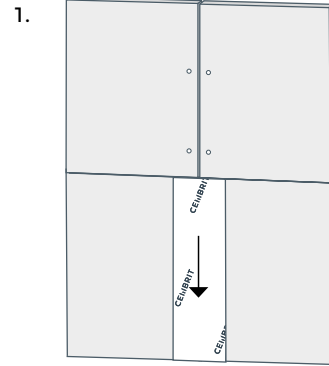
Cembrit Windstopper Tape



Cembrit Windstopper Tape

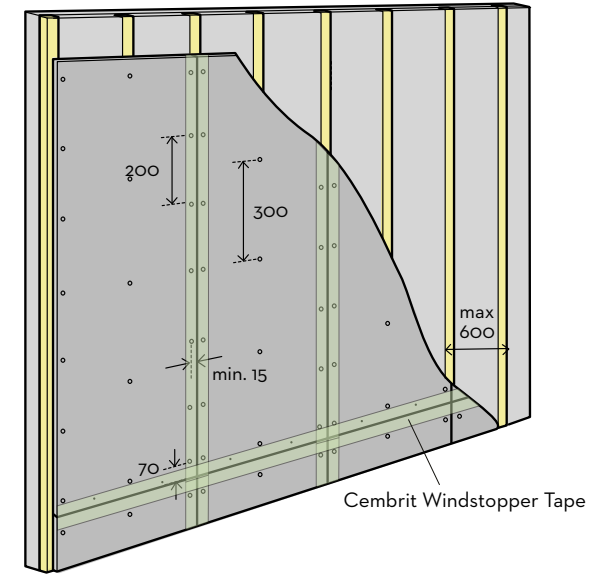
Cembrit Windstopper Tape

Step by step

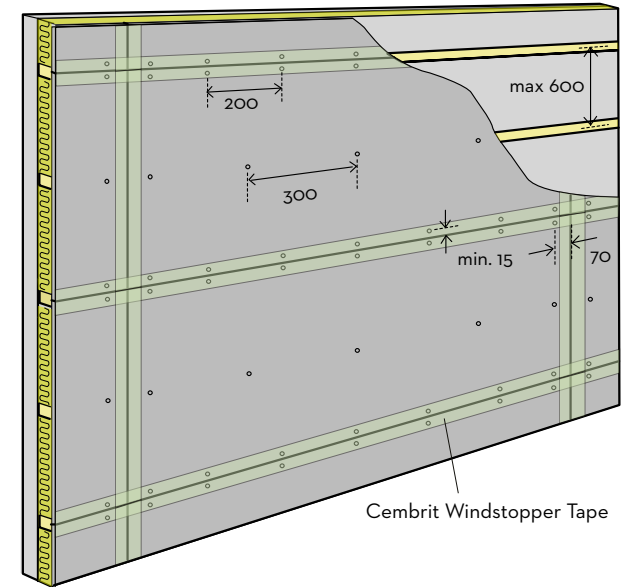


Cembrit Windstopper Basic 9mm Cembrit Windstopper Extreme 9mm

Fixed to wooden or steel sub-constructions



Cembrit Windstopper Tape



Cembrit Windstopper Tape